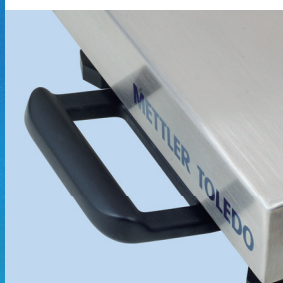


## ICS226 Compact Scale For Light Wash Down Applications



### Ergonomic design

Duplicated Zero/Tare keys provide ergonomic operation. Intuitive LCD display speeds up production.



### Portable and Mobile

Fully portable and mobile with removable handles and Ni-MH battery for flexible operation.



### Stainless Steel Protection

Stainless steel scale is IP67 terminal and IP65 base protected for ruggedness and durability.



### Interface

With RS232 interface, ICS226 can connect to printer to print basic weighing data.



### ICS226 Compact Scale

ICS226 is designed for efficient out-of-the-box simple weighing applications and optimized for easy and fast Checkweighing.

It is an ideal portable scale solution for weighing and portioning in food production and packaging applications.

# ICS226 Compact Scale

## Technical Specifications

<b>Display</b>	6 digit LCD, with white backlight Heights 30mm
<b>Approval</b>	NTEP, III, 3,000 e
<b>Optional Readability</b>	6,000 d / 7,500 d
<b>Power Supply</b>	100 ~ 240 VAC
<b>Ingress Protection</b>	6V Ni-MH rechargeable battery 3800mAh IP65/IP67
<b>Material</b>	Scale: Stainless steel, AISI304 Load cell: Stainless steel potted
<b>Applications</b>	Simple weighing, Unit switch, Check weighing
<b>Platform Size</b>	228 x 228 mm / 8.98 x 8.98"

## Standard Configurations

Power				
Order Number	Model	Capacity/Readability	Installation	Product Size
30083480	ICS226-QA3F with RS232	6lb/0.002lb	Front	375 x 331 x 86 mm 14.76 x 13.03 x 3.39"
30083481	ICS226-QA6F with RS232	15lb/0.005lb	Front	
30083482	ICS226-QA15F with RS232	30lb/0.01lb	Front	

Internal Rechargeable Battery				
Order Number	Model	Capacity/Readability	Installation	Product Size
30083483	ICS226-QA3FCL with RS232	6lb/0.002lb	Front	375 x 331 x 86 mm 14.76 x 13.03 x 3.39"
30083484	ICS226-QA6FCL with RS232	15lb/0.005lb	Front	
30083485	ICS226-QA15FCL with RS232	30lb/0.01lb	Front	

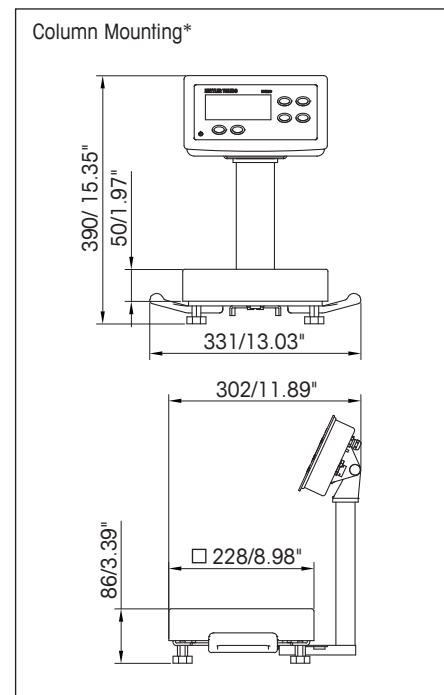
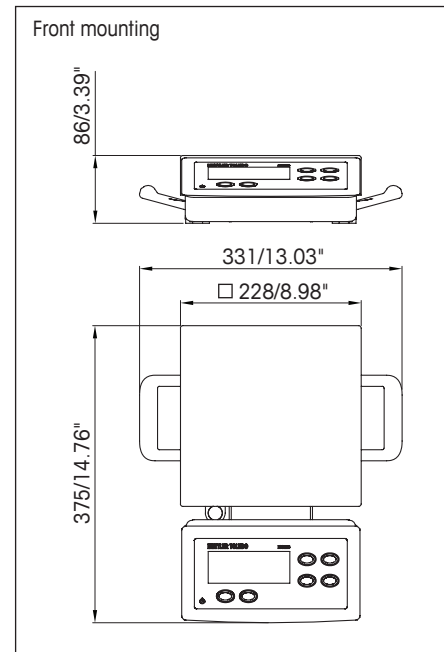
## Optional Configurations\*

Power				
Order Number	Model	Capacity/Readability	Installation	Product Size
30083480	ICS226-QA3F with RS232	6lb/0.002lb	Column	302 x 331 x 390 mm 11.89 x 13.03 x 15.35"
30083481	ICS226-QA6F with RS232	15lb/0.005lb	Column	
30083482	ICS226-QA15F with RS232	30lb/0.01lb	Column	

Internal Rechargeable Battery				
Order Number	Model	Capacity/Readability	Installation	Product Size
30083483	ICS226-QA3FCL with RS232	6lb/0.002lb	Column	302 x 331 x 390 mm 11.89 x 13.03 x 15.35"
30083484	ICS226-QA6FCL with RS232	15lb/0.005lb	Column	
30083485	ICS226-QA15FCL with RS232	30lb/0.01lb	Column	

\* Please order accessory, 30104487 ICS226 column kits, to change front to column installation.

## Dimensions (mm/inch)



### METTLER TOLEDO

USA  
 1900 Polaris Parkway  
 Columbus, Ohio 43240  
 Tel. (800) METTLER  
 Fax (614) 438-4525  
 Internet: www.mt.com  
 Email: TellMeMore@mt.com

Canada  
 2915 Argenta Road, Unit 6  
 Mississauga, Ontario L5N 8G6  
 Tel. (800) METTLER  
 Fax (800) 786-0042

[www.mt.com](http://www.mt.com)

For more information